

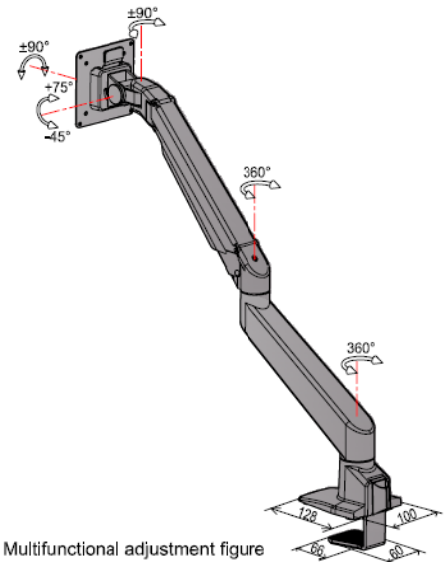
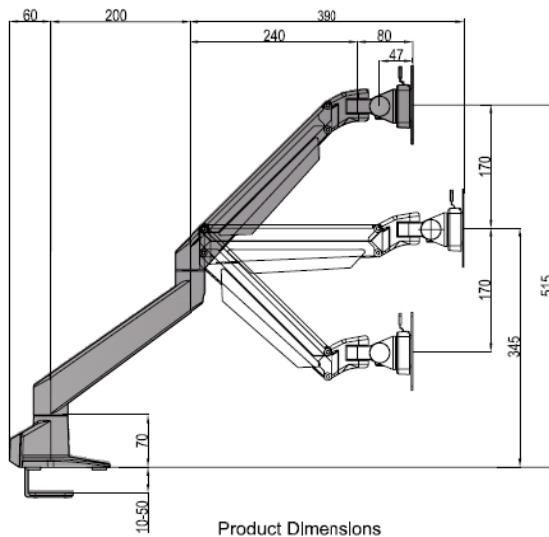
Monitor Arm -Single Arm

Model #HWS-S100

Leadtime: 3 weeks

Warranty: 5 years

- Free movement arm for a single monitor provides user for optimal ergonomics comfort
- Constant force function (gas cylinder) allows easy comfortable viewing
- Simple installation from top of desk
- Compact design allows use in narrow places



Technical parameter											
										Desk thickness application (mm)	
LCD Size	Wt.Capacity(kg)	Lift(mm)	Tilt	Swivel	Pivot	VESA	Packing size(mm)	NW (kg)	GW(kg)	Thru desk	desk clamp
≤30"	2-10	340	+75° ~ -45°	±90°	±90°	75*75	Inner:475*195*140	Inner: 3.5	Inner: 3.8	60	50
	9-21					100*100	Outer:490*210*440				
							Inner/Outer: 3/1				

HWS Hong Kong Ltd

39/F China Online Center, 333 Lockhart Road, Wanchai, Hong Kong Tel 852 2832 0210