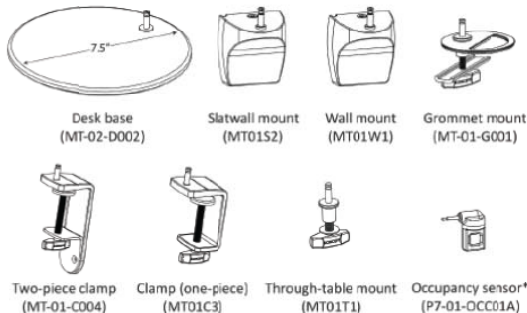
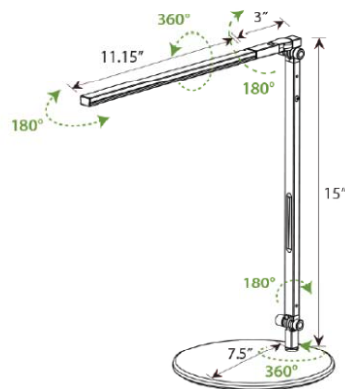


# Z-Bar Solo Mini

Minimalism at its best. The Z-Bar Solo Desk Lamp has a single arm compact design. LED head folds flat against the body. An intuitive on/off functionality with a dimming option. No bulky bulbs - just a slim row of tiny LEDs you can turn to illuminate any direction.



Lumens:	320
Energy Consumption:	6.5 watts
Number of LEDs:	28 LEDs
LED Rated Lifespan:	50,000 hours
Color Temperature (Typical) – Cool:	4,500 K
Color Temperature (Typical) – Warm:	3,500 K
Color Rendering Index (CRI):	85
Dimmer:	Built-in touchstrip
Brightness Adjustability:	Multiple dimming levels
Standard Color Finish*:	Metallic Black, Silver
Material:	Aluminum/Plastic
Cord Color:	Black
Cord Length:	10'
Transformer (100–240 V; 50/60 Hz):	Included – C-UL-US Certified
Maximum Brightness** (15" above desk):	115 fc

**Potential LEED Points:**

**Energy & Atmosphere (EA)**

*Credit 1.1: Optimize Energy Performance*  
LED lighting to reduce energy consumption.  
(Potential points: 3)

**Innovation In Design (ID)**

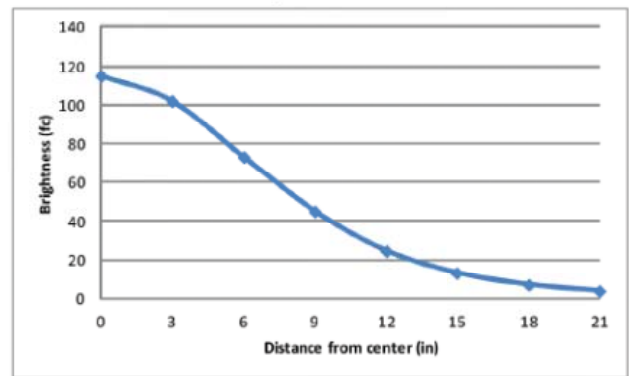
*Credit 1.1- 1.4: Innovation in Design*  
Z-Bar® Solo Mini uses a single arm for a more compact design with an LED head able to fold flat against the body. The lamp also features a built-in touchstrip for brightness adjustability.  
(Potential points: 4)

**Materials & Resources (MR)**

*Credit 4.1: Recycled Content - 10%*  
Lamps contain parts made out of 10% pre-consumer recycled content.  
(Potential points: 1)

*Credit 4.2: Recycled Content - 20%*  
Lamps contain parts made out of 20% pre-consumer recycled content.  
(Potential points: 2)

Light source placed at 15" away from worksurface



(Shown: photometrics of diffused light model)

HWS Hong Kong Ltd

39/F China Online Center, 333 Lockhart Road, Wanchai, Hong Kong Tel 852 2832 0210