

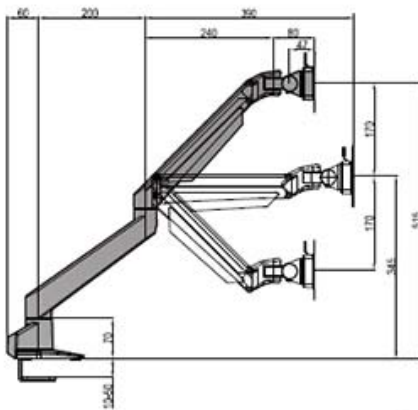
Monitor Arm – Dual Arm with Crossbar

Model #HWS-S202

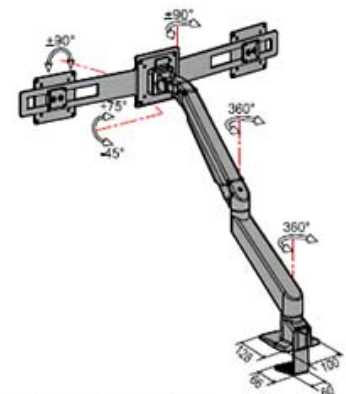
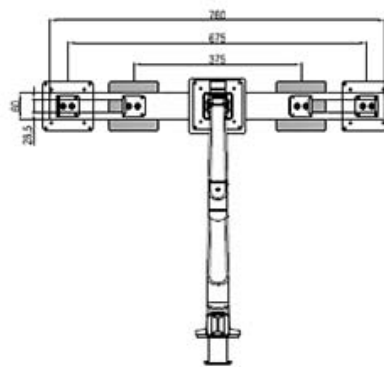
Leadtime: 3 weeks

Warranty: 5 years

- Free movement arm for a dual monitors provides unlin for optimal ergonomic comfort
- Constant force function (gas cylinder) allows easy adju comfortable viewing
- Simple installation from top of desk
- Compact design allows use in narrow places



Product Dimensions



Multifunctional adjustment figure

Technical parameter											
										Desk thickness application (mm)	
LCD Size	Wt.Capacity(kg)	Lift(mm)	Tilt	Swivel	Pivot	VESA	Packing size(mm)	NW (kg)	GW(kg)	Thru desk	desk clamp
≤24"	2-10	340	+75° ~ -45°	±90°	±90°	75*75	S100Inner:275*195*140	Inner: 3.5	Inner: 3.8	60	50
	9-21						S100Outer:490*210*440				
100*100		Inner/Outer: 5/1	Inner: 1.7	Inner: 1.9							
	BDOInner:780*140*45	Outer:8,5			Outer: 10						
BDOOuter:775*150*245											
							Inner/Outer: 5/1				

HWS Hong Kong Ltd

39/F China Online Center, 333 Lockhart Road, Wanchai, Hong Kong Tel 852 2832 0210